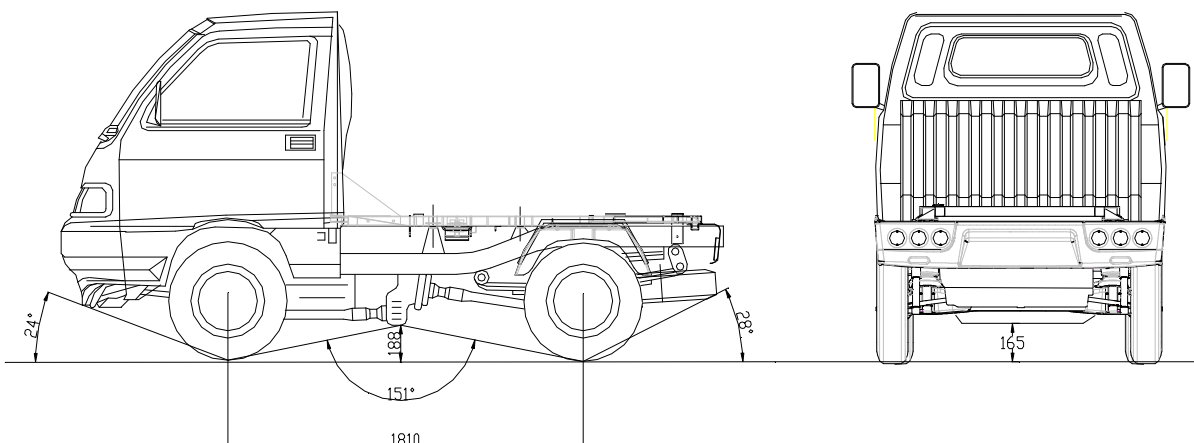




# PIAGGIO PORTER 4X4 - PART TIME -



## TECHNICAL VARIATIONS COMPARED TO THE ORIGINAL PIAGGIO VEHICLE

<b>WEIGHTS</b>	
TOTAL WEIGHT OF THE 4WD TRANSFORMATION	68 Kg
ALLOCATION OF WEIGHT ON FRONT AXLE	50Kg
ALLOCATION OF WEIGHT ON REAR AXLE	18Kg
<b>4WD CONTROL LEVER</b>	
FUNCTION (variable with vehicle on the move) / POSITION	POSIZIONE
LOW RANGE FOUR-WHEEL DRIVE	<b>4x4L</b>
NORMAL DRIVE (rear traction)	<b>4x2H</b>
HIGH RANGE FOUR-WHEEL DRIVE	<b>4x4H</b>
NEUTRAL	<b>N</b>
<b>HEIGHT (empty vehicle)</b>	
MINIMUM GROUND CLEARANCE	<b>165 mm</b>
MINIMUM GROUND CLEARANCE AT MIDPOINT	<b>188 mm</b>

**ALL OTHER FEATURES REMAIN UNCHANGED**

### OFFICINE CUCINI s.r.l.

50021 Barberino Val d'Elsa (FI) Via Caduti di Nassiriya 7/a

Tel. 055/8073284 – Fax 055/8073519

Web site: [www.cucini.it](http://www.cucini.it) - e-mail: [info@cucini.it](mailto:info@cucini.it)

Sede legale: 50052 Certado (FI) Via Delle Città, 15



UNI EN ISO9001:2000